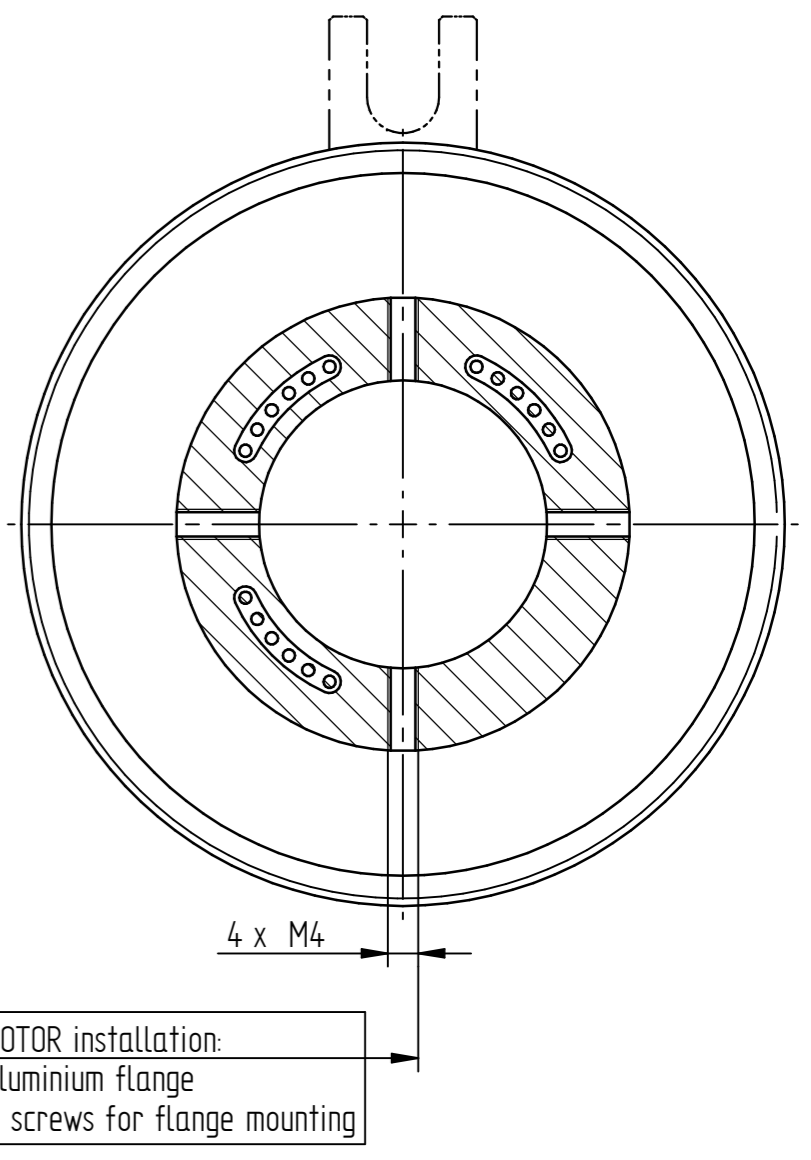
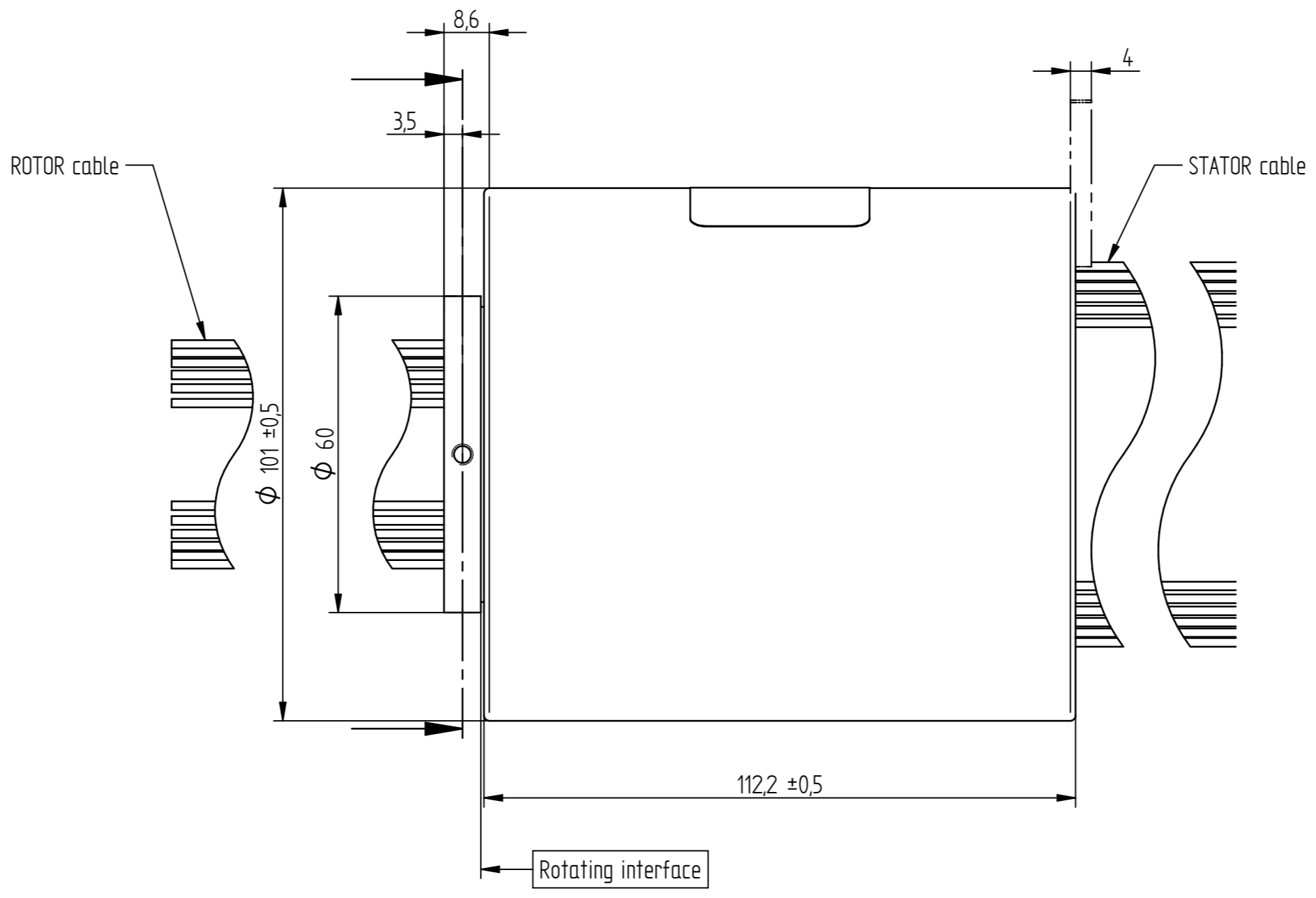


STATOR installation:
 Anti-rotation tab to be mounted optionally, see manual
 Anti-rotation tab is enclosed in the packaging



ROTOR installation:
 Aluminium flange
 4 screws for flange mounting

All parts and components shown in this document are originally created and developed at Schleifring GmbH, Germany and a private or a civil application. Any customization has no impact on origin and export classification.
 All drawings are the property of Schleifring GmbH, Germany and are to be treated as confidential. The reproduction, distribution and utilization as well as the communication of its contents to others without express authorization is prohibited. Offenders will be held liable for the payment of damages. All rights reserved in the event of the grant of a patent, utility model or design.

Wiring diagramm see sheet 2

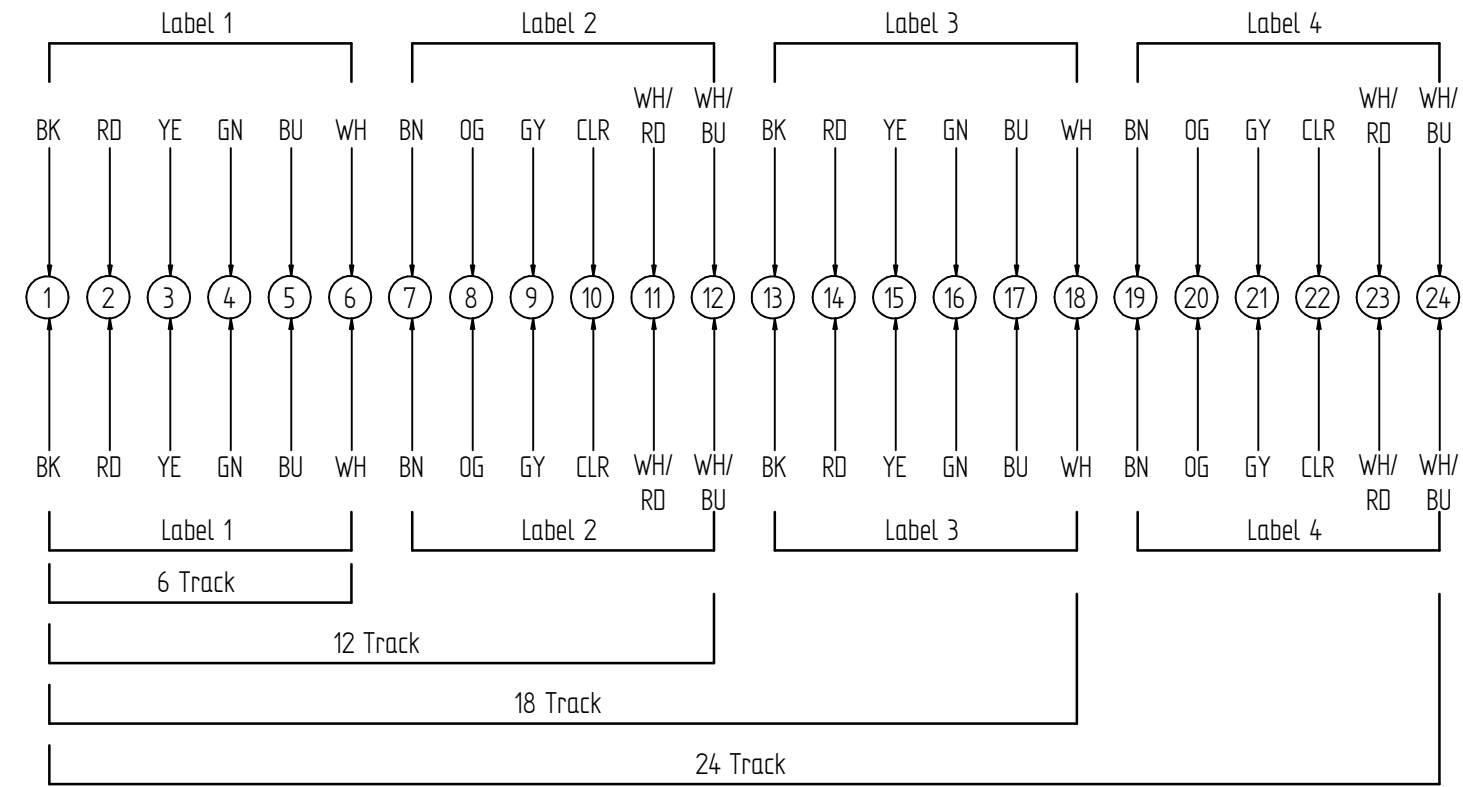
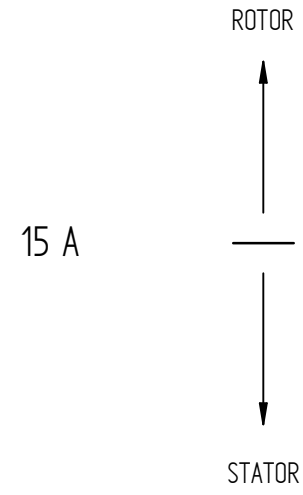
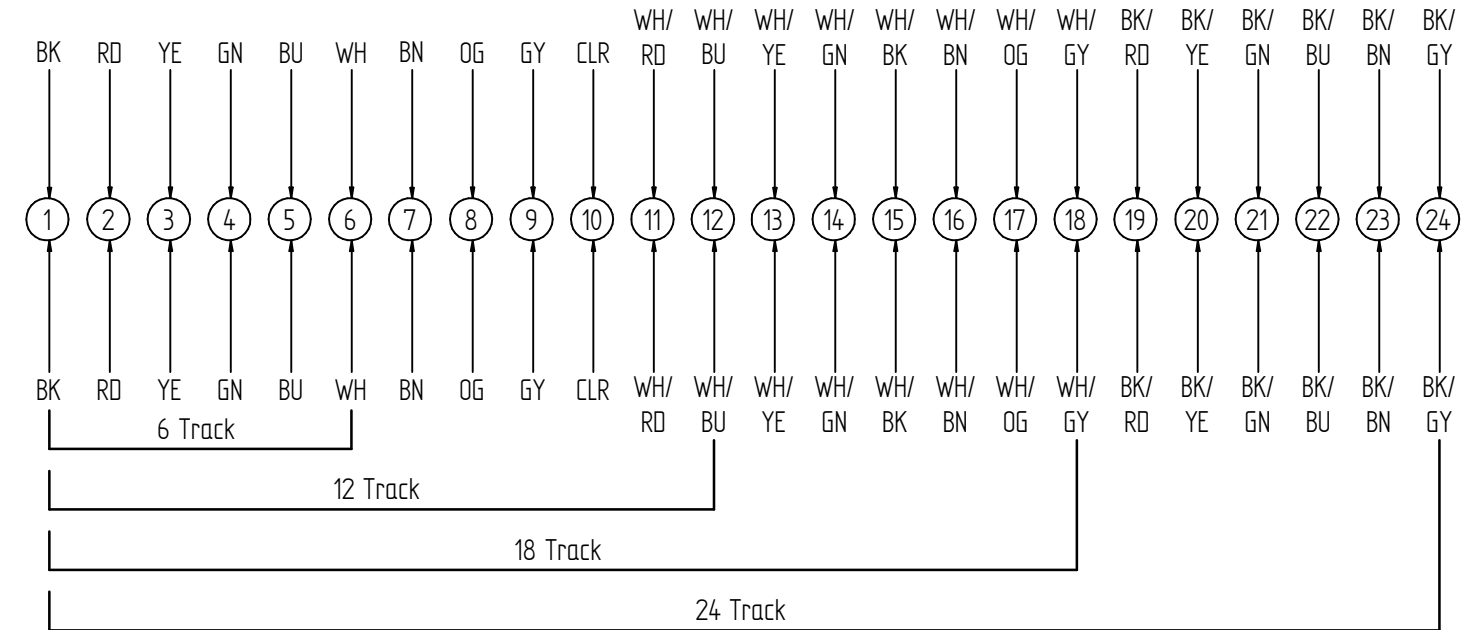
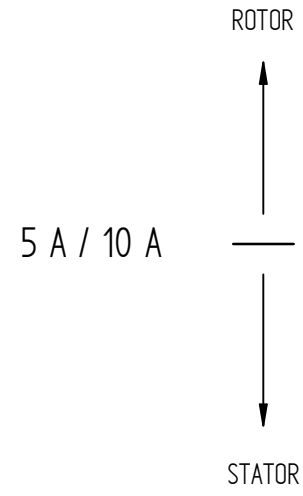
Die Montageanleitung 7BC000000 wird elektronisch bereitgestellt.
 The assembly instruction 7BC000000 is provided in electronic format.

ELECTRONIC & ELECTRIC		MECHANICAL	
Rating Voltage	250 V AC / DC or 400 V AC	Working Speed	300 rpm max.
		Inner Diameter	Ø 38,1
		Contact Material	Precious Metals
Current	15 A	Lead Wire Length	STATOR: 250 mm ROTOR: 250 mm
Track	18	/	/
Insulation Resistance	500 MΩ @ 500 V DC	/	/
ENVIRONMENT		REMARKS	
Working Temperature	-20 °C to +60 °C	Application	see Manual
Working Humidity	≤ 60 % RH	Other	/
Protection Class	IP50	Note:	/

10	1	70C000019	Maverick Schleifring 18-Weg 15A		
Pos.	Anz.	Mat.Nr.	Kurztext	GroÙe/Abmessung	Werkstoff
1	2	3	4	5	6
DIN ISO 5456-2	TOLERANCES	DIN ISO 13715	FINISH	SCALE	REFERENCE 2
	ISO 2768 - mH	+0,3 +0,1	-0,1 -0,3	1:1	WEIGHT 0,001 kg
STANDARDS	DWG NO	REVISION	FIRST RELEASE	11.01.2022	
ISO 8015 ISO 14405	77C000019	A1	DESIGNER	CREITER	21.11.2022
			APPROVED	AGREPPMAYR	21.11.2022
	Beschreibung	Maverick Schleifring 18-Weg 15A		CHANGE NO	200120151
	DESCRIPTION	Maverick Slip Ring 18-Track 15A		DOCUMENT TYPE	Kundenzeichnung
	SIZE/DIM			SHEET	1/2
Draft: 1000955321/D02/000/03			Modell: 1000955321/000/000/03		A2

All drawings are the property of Schleifring GmbH/ Germany and are to be treated as confidential. The reproduction, distribution and utilization as well as the communication of its contents to others without express authorization is prohibited. Offenders will be held liable for the payment of damages. All rights reserved in the event of the grant of a patent, utility model or design.

Cable Table	
Current	Cable
5 A / Signal	AWG17
10 A	
15 A	AWG14



DIN ISO 5456-2 	TOLERANCES ISO 2768 - mH	DIN ISO 13715 +0,3 +0,1 -0,1 -0,3	FINISH	SCALE 1:1	REFERENCE 2
STANDARDS ISO 8015 ISO 14405		DWG NO 7KC000019	MATERIAL	WEIGHT 0,001 kg	REFERENCE 1
		Beschreibung Maverick Schleifring 18-Weg 15A DESCRIPTION Maverick Slip Ring 18-Track 15A SIZE/DIM.	REVISION A1	FIRST RELEASE	11.01.2022
			APPROVED	AGREPPMAYR	21.11.2022
			CHANGE NO 200120151	SHEET 2/2	